

ELECTRIC REMOTE CONTROLLED AIRCRAFT TUG  
REMOTE TOWBARLESS



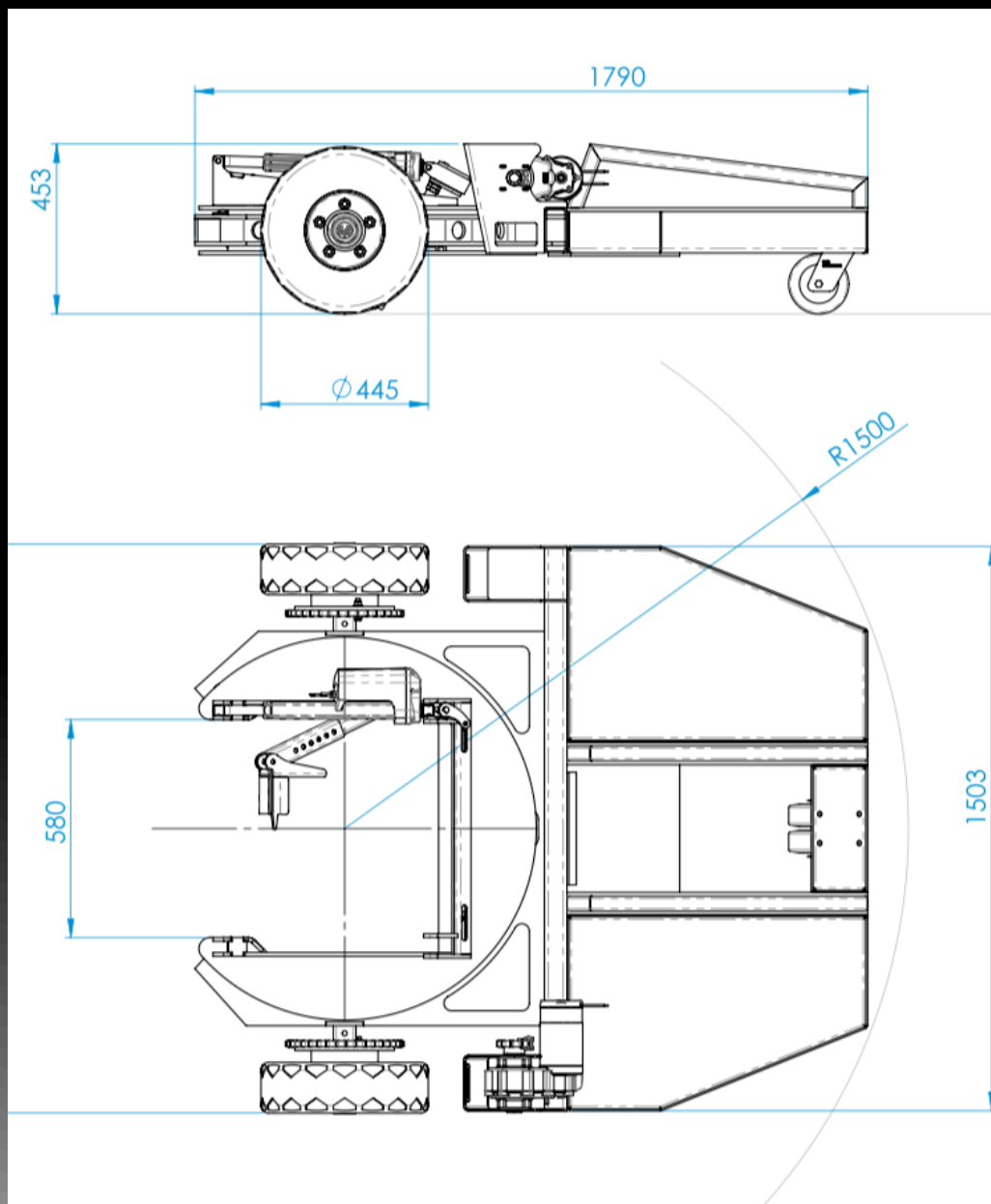
**Aero-Pac<sup>®</sup>**

[www.aero-pac.com](http://www.aero-pac.com) • [info@aero-pac.com](mailto:info@aero-pac.com) • Belgium

M-PAC 500

Meets : EN ISO 13849-1 - EN IEC 62061 (a subset of EN IEC 61508)

## P/N I-PAC 6000



**A PASSION FOR EXCELLENCE**



www.aero-pac.com • info@aero-pac.com • Belgium



---

## DIMENSIONS - WEIGHT

All our tugs are produced in our factory in Belgium.

We have modern CNC manufacturing equipment to meet any of your fabrication requirements. TIG, MIG, MAG, STUD, SPOT, Shearing, laser cutting, rolling, bending, Vertical mill, manual lathe.

Weight is standard  
Configuration :

1590 Kg - 3505 Lbs



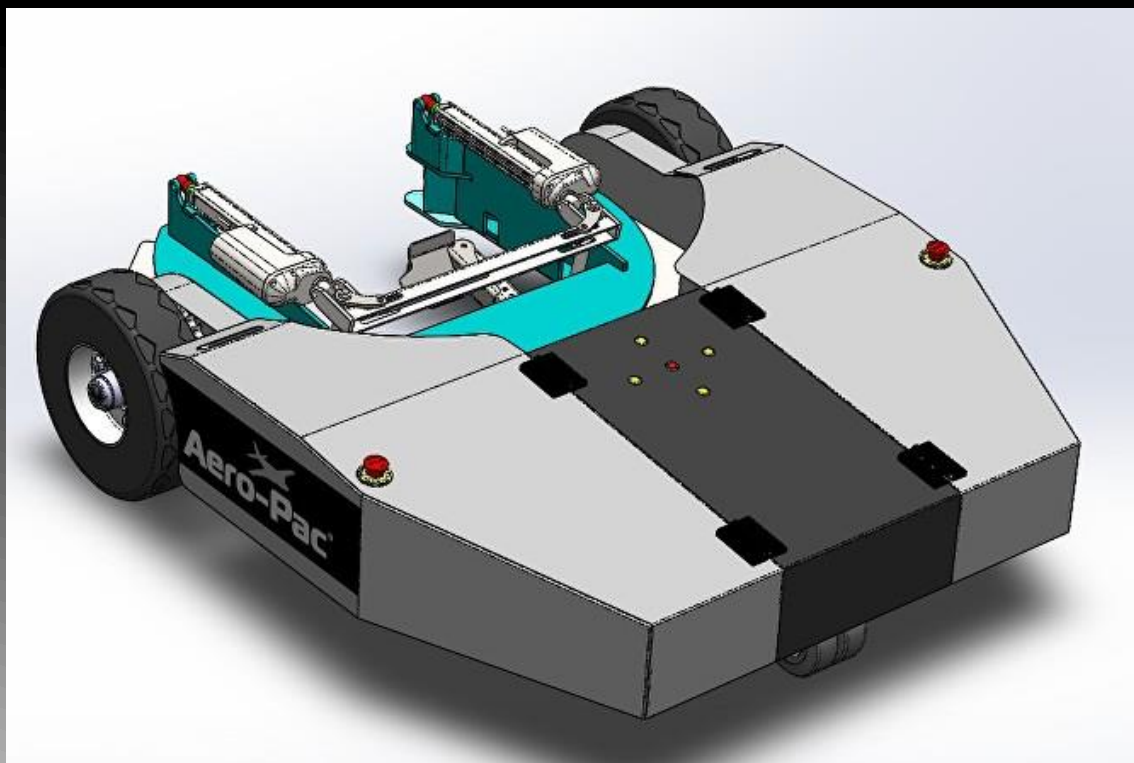
www.aero-pac.com • info@aero-pac.com • Belgium



Low Profile | Industrial strength | Reliable | Virtual no maintenance

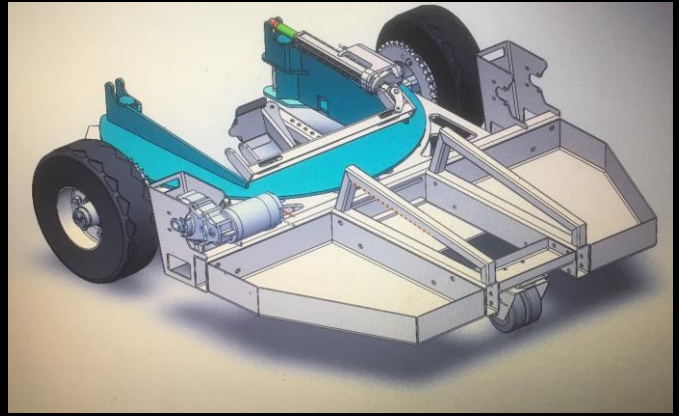
All our tugs are produced in our factory in Belgium.

we have modern CNC manufacturing equipment to meet any of your fabrication requirements. TIG, MIG, MAG, STUD, SPOT, Shearing, laser cutting, rolling, bending, Vertical mill, manual lathe.



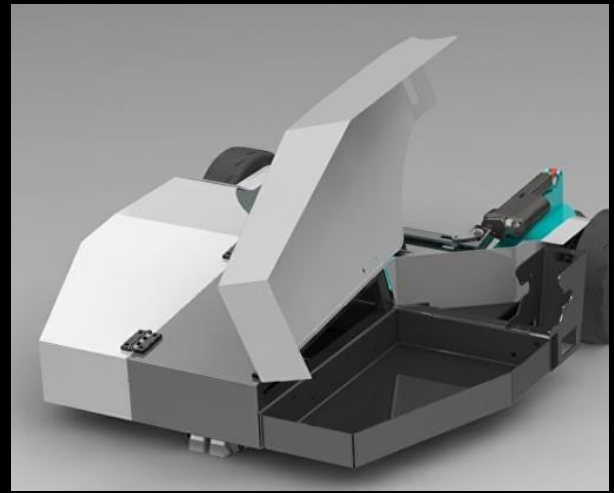


www.aero-pac.com • info@aero-pac.com • Belgium



#### TECHNICAL DATA :

- 2 x DC , VIRTUAL NO MAINTENANCE ENGINES
- GALVANO PROTECTION – POWDER COATED | SWISS QUALITY.
- OPTIONAL WITH OWN COLOR SCHEME.
- DRIVE WHEELS : PUNCTURE PROOF , ALL TERRAIN , EXTREME HEAVY DUTY WHEELS.
- EN ISO 13849-1 - EN IEC 62061 (a subset of EN IEC 61508) WIRELESS SYSTEM.
- Axles & Shafting – 304 SS.
- Transmission – Percision Machined, Virtual zero maintenance gearbox.
- Lifting System – Custom Designed Ram
- Lighting –LEDS (standard).
- Special cradle system installed for German market, with automatic closing of cradle. (None rotating.)
- Fail Safe Radio Control.
- Aircraft ground power installed with AN2551 connector ([www.aircraftplugs.com](http://www.aircraftplugs.com))
- Deep Duty Cycle, High Capacity Batteries.
- Battery endurance 4-5 days, depending operations and MTOW.
- Steering – Via Remote Control – ZTR (zero turn radius).
- Professional packaging, crate.
- Rear wheels , swifel type, heavy duty.
- Industrial strength construction,.
- For single and Dual wheel operation.
- Engine brake system.
- Reflectors installed.



## M-PAC500

### Technical data

#### P/N I-PAC 6000

Dual electrical 2 x powerful high-torque Rotary Drive Gear Motor,  
Easy-to-use.

2 high capacity batteries Traction batteries

Lifts the aircraft fully automatically in about 2 seconds, with one click on the remote

Motor Speed Control DC operations with integrated diagnostics & variable speed control, Soft Steering through different Rotating Speed of each wheel motor.

Signals directed from micro processor controlled wheel motors.

Brake System Multi-Stage regenerative, decelerating and electromagnetic Brake System.

3 Emergency Stops.

Drive Tires Optimum Tread Depth Multi-Terrain Heavy Duty Wheels for best traction, 18 x 7.8 .

Puncture Proof Front Wheel 2 x Heavy Duty Puncture Proof Caster Wheel, height 305 mm, (12") solid center 80 mm (3.15")

Additional Power Supply 12V / 24V Power Socket to supply power to optional Accessories.

Remote Control Technology Lightweight Waterproof Remote Control and approved for airport operation

Vehicle Lighting (Front & Rear) Energy saving, but strong LED Headlights illuminating driving direction (front & rear)

Normal operating speed 6 km/h. (Max. speed needs to be requested upon order).

Operating Temperature (Range from - to +) -15°C to +50°C

Max 90% Relative Humidity

Note: Technical specifications are Subject to change.

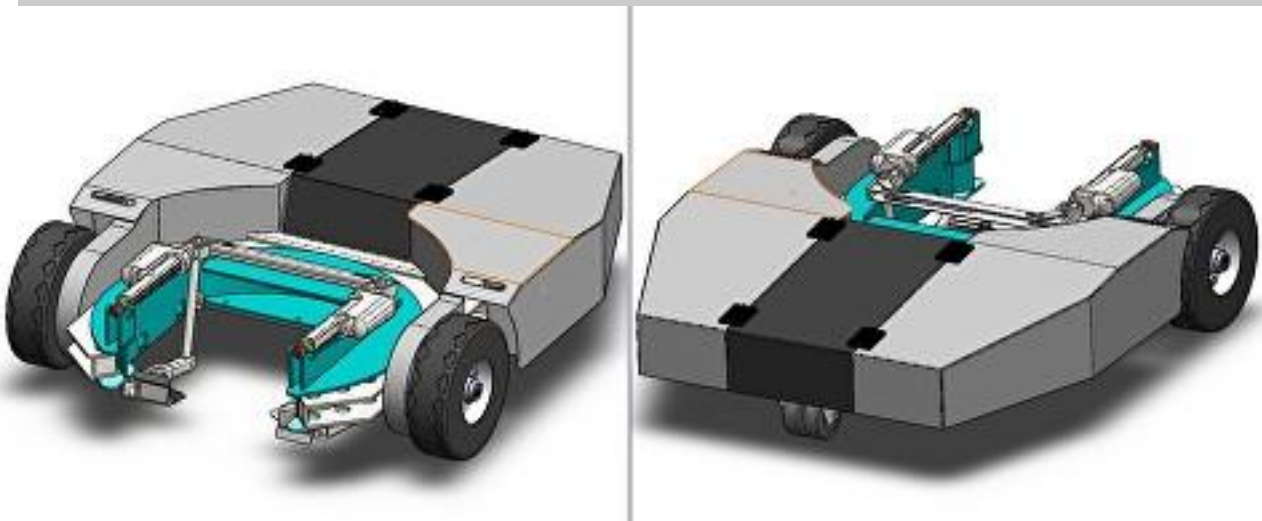


## I-PAC 6000

### Technical data

#### P/N I-PAC 6000

- The system gives unbelievable manoeuvrability
- Battery charge indication
- Charge level lights on battery. Charger Input 110V/220V.
- Operates well on wet and iced surfaces.
- 1 person operable
- Robust outdoor industrial construction.
- Virtual no maintenance.
- Galvano corrosion protection.
- great price / performance, components and battery ratio.
- fail/safe operation.
- Optional in your color , logo (standard grey / black)
- Dual engine control.
- Space saving design.





[www.aero-pac.com](http://www.aero-pac.com) • [info@aero-pac.com](mailto:info@aero-pac.com) • Belgium



---

We do ship on daily basis all over the world.

We take care of all shipping documents and EU1 Movement Certificates.

You can drive out of the export box.

Optional you can track your tug during shipping and afterwards with a build in online tracker.





www.aero-pac.com • info@aero-pac.com • Belgium



---

## CONTACT

AERO-PAC  
Industrialzone Strohof  
Kruisboommolenstraat 7/9  
8800 Roeselare  
Belgium

[www.aero-pac.com](http://www.aero-pac.com)  
[sales@aero-pac.com](mailto:sales@aero-pac.com)

+32.51.77.99.19